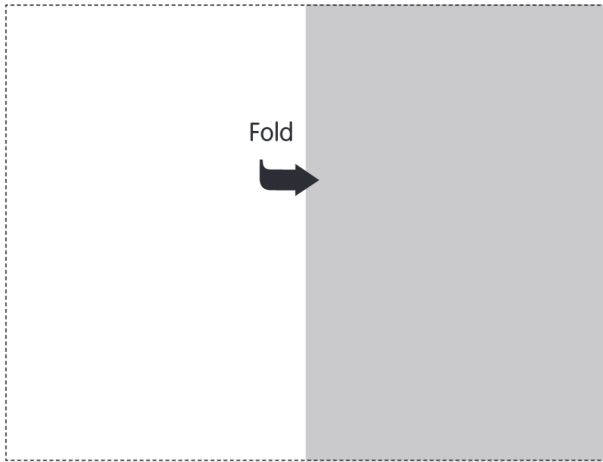
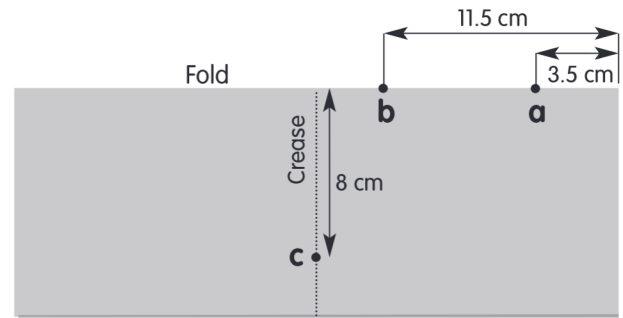


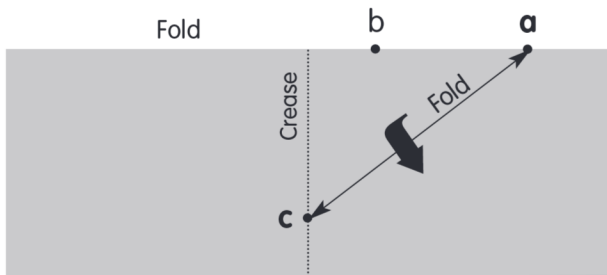
# HOW TO MAKE A POP-UP HEART CARD — Paper Engineering



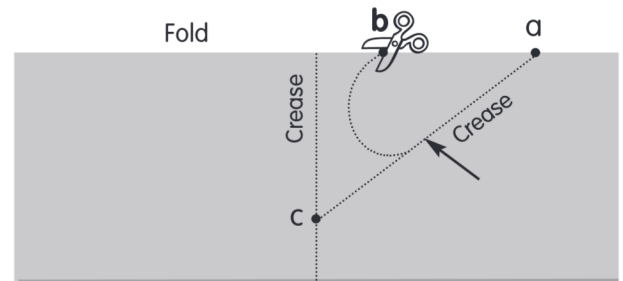
1.
  - Start with a piece of paper 22.9 cm x 30.5 cm.
  - Fold the paper in half, short end to short end.
  - Line up the edges and make a firm crease.



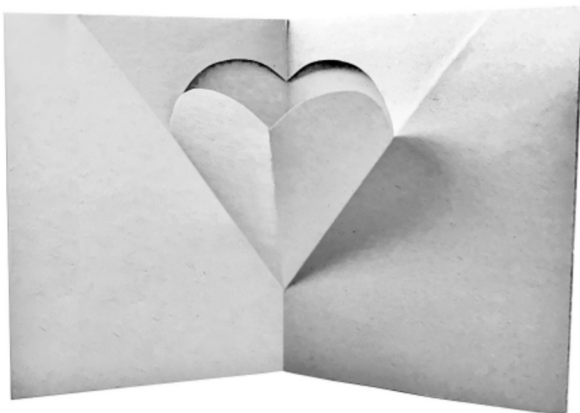
2.
  - Open the paper and fold it in half, long end to long end.
  - Measure and mark **on** the fold:
    - 3.5 cm from the end of the paper - 'a'
    - 11.5 cm from the end of the paper - 'b'
  - Measure and mark **from** the fold:
    - 8 cm along the crease - 'c'



3.
  - Make a diagonal fold from 'a' to 'c' to make a triangle.
  - Stop at the centre crease.



4.
  - Flatten the paper.
  - Start at 'b'.
  - Cut the top part of half a heart.
  - Stop at the diagonal crease.



5.
  - Open the paper.
  - Fold it in half, short end to short end.
  - Start to fold the paper again, short end to short end with the heart on the **inside**.
  - Gently pull the heart forward.
  - Press the fold lines firmly so the heart pops out when the card is open and folds flat when the card is closed.
  - Use crayons, cut paper and/or markers to decorate the front and inside of the card.